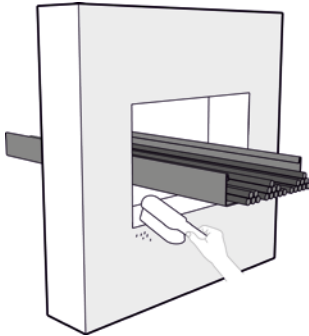


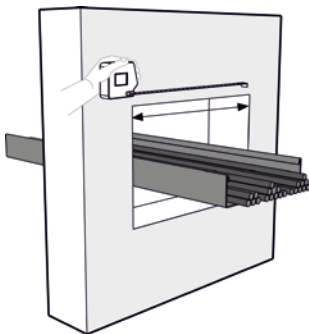


RPI-S Sealing system

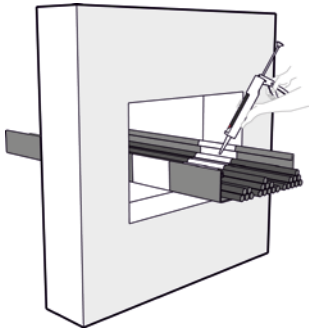
APPLICATION MANUAL



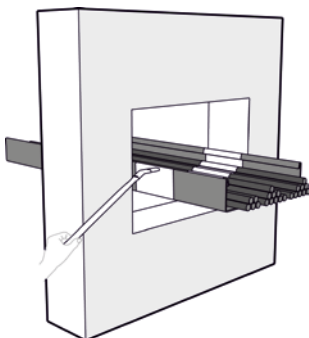
1. To ensure good adhesion of the masking tape and the RPI-S Coating, make sure the working surfaces are clean and dust-free.



2. Carefully measure the penetration with a flexible steel rule, folding rule or callipers and transfer the measurements to the RPI-S Board.



3. Apply RPI-S Filler between the cables over a width of at least 60 mm at the site where the RPI-S Board is to be mounted. Use RPI-S Filler to seal any gaps or joints between:
 - the cables themselves
 - cables and fitting pieces
 - cables and conduit
 - fitting pieces and conduit
 - fitting pieces and recess
 - the profile of the conduit itself

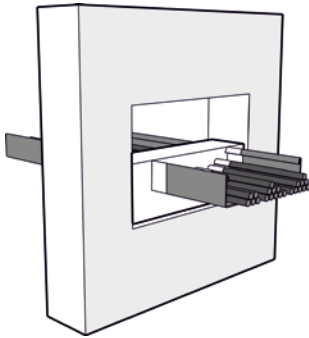


4. At the site where the RPI-S Board is to be affixed, paint the recess, conduit and cables with RPI-S Coating over a width of about 60 mm.

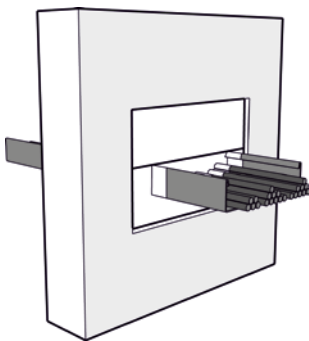


RPI-S Sealing system

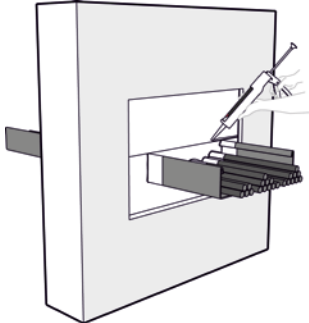
APPLICATION MANUAL



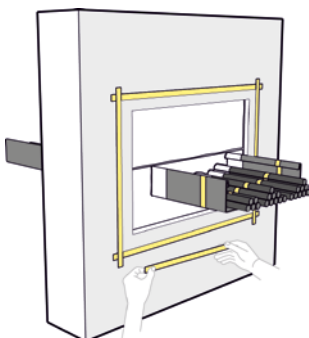
5. Saw the fitting pieces out of the RPI-S Board to the appropriate size, ensuring that they fit tightly in the recess.
Paint the sides of the recess and the fitting pieces with RPI-S Coating so that the fitting pieces are 'glued' firmly to the recess and the conduit.
Make sure the relief on all pieces of RPI-S Board is facing the same way up.



6. Make the fitting pieces as large as possible to limit the number of joints.
Cut enough fitting pieces to seal the whole recess.



7. Use RPI-S Filler to re-seal any gaps or joints between:
- cables and fitting pieces
 - fitting pieces and conduit
 - fitting pieces and recess
 - the profile of the conduit itself

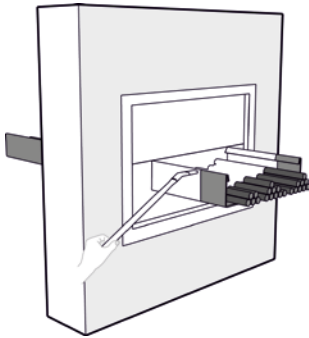


8. Affix masking tape to the conduit and cables about 200 mm from the RPI-S Board and on the wall about 30 mm from the RPI-S Board.

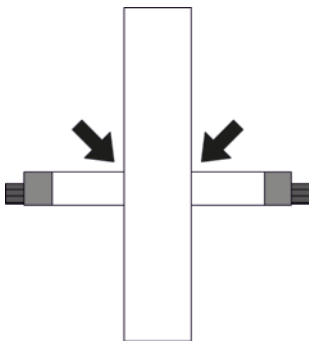


RPI-S Sealing system

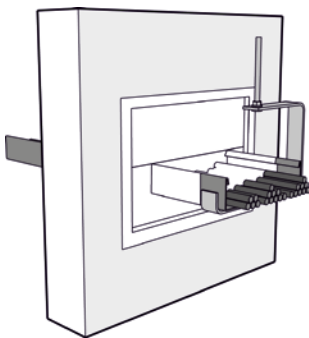
APPLICATION MANUAL



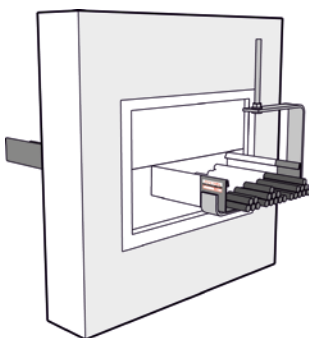
9. Paint the entire seal with RPI-S Coating.
Paint the conduit and cables up to 200 mm from the seal.



10. Perform steps 7 to 9 on both sides of the wall.



11. Check that the conduit is fitted in a suitable steel suspension bracket on both sides of the wall within 25 cm.



12. Enter your company details on the RPI-S Sealing sticker and display it in a clearly visible place.