

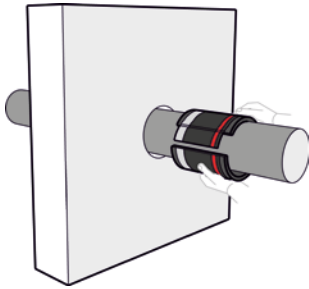


RPI-P Fire sleeve

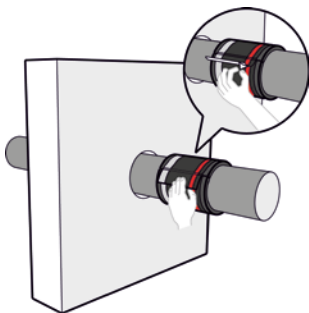
APPLICATION MANUAL

Situation A

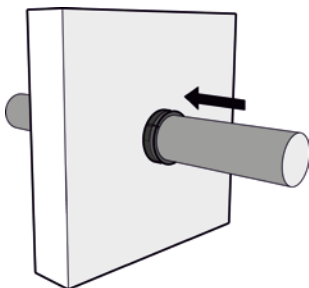
The RPI-P Fire sleeve is fitted in a recess in the wall so that the gap between the RPI-P Fire sleeve and the wall is less than 10 mm.



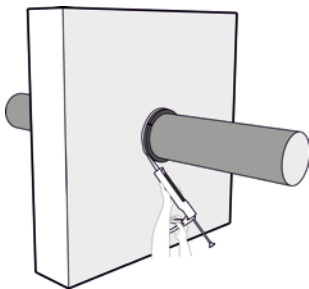
1. Choose the correct RPI-P Fire sleeve for the pipe diameter and fit it round the pipe.



2. Remove the backing sheet from the mounting sticker and stick the mounting sticker on the RPI-P Fire sleeve so that the Fire sleeve fits tightly around the pipe.



3. Slide the RPI-P Fire sleeve over the pipe so that the centre of the RPI-P Fire sleeve is aligned with the centre of the fire-resistant structure.

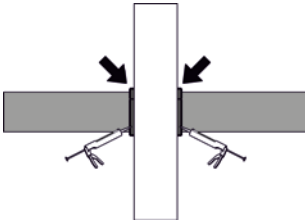


4. Seal any gaps or joints between the pipe and the RPI-P Fire sleeve and between the RPI-P Fire sleeve and the wall with RPI-S Filler.



RPI-P Fire sleeve

APPLICATION MANUAL



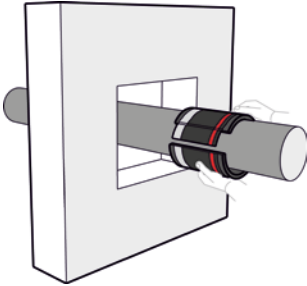
5. Perform step 4 on both sides of the wall.



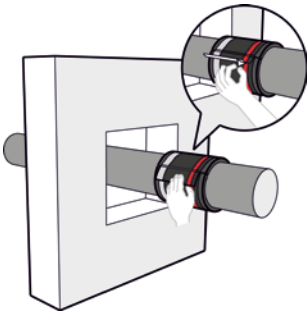
6. Enter your company details on the RPI-S Sealing sticker and display it in a clearly visible place.

Situation B

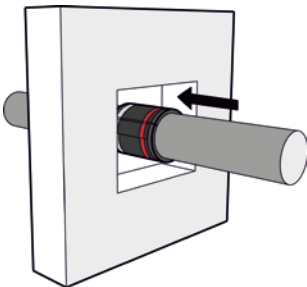
The RPI-P Fire sleeve is fitted in a recess at least 10 mm bigger than the pipe diameter.



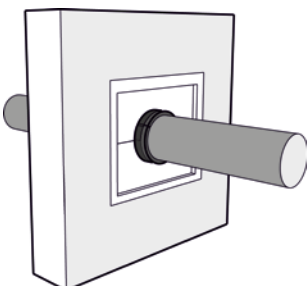
1. Choose the correct RPI-P Fire sleeve for the pipe diameter and fit it round the pipe.



2. Remove the backing sheet from the mounting sticker and stick the mounting sticker on the RPI-P Fire sleeve so that the Fire sleeve fits tightly around the pipe.



3. Slide the RPI-P Fire sleeve over the pipe so that the centre of the RPI-P Fire sleeve is aligned with the centre of the fire-resistant structure.



4. Finish the gap between the wall and the RPI-P Fire sleeve with the RPI-S Sealing system (see the RPI-S Sealing system application manual).



RPI-P Fire sleeve

APPLICATION MANUAL



5. Enter your company details on the RPI-S Sealing sticker and display it in a clearly visible place.