



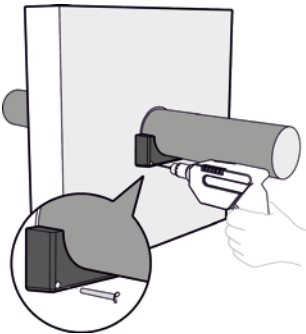
# RPI-P Fire collar

## APPLICATION MANUAL

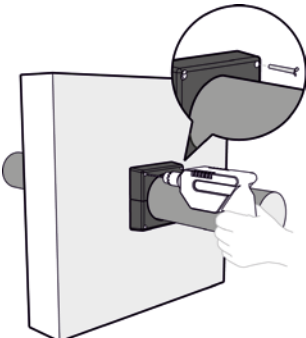
### Situation A

The RPI-P Fire collar consists of two parts.

Choose the correct size RPI-P Fire collar for the pipe diameter and use the appropriate fasteners as specified in the table on page 3.



Hold the first part of the RPI-P Fire collar tightly against the pipe. Then drill holes in the wall through the attachment holes in the RPI-P Fire collar and mount the first two fixings.



Hold the second part of the RPI-P Fire collar tightly against the pipe and against the first part. Then drill holes in the wall through the attachment holes in the RPI-P Fire collar and mount the last two fixings.



Enter your company details on the RPI-S Sealing sticker and display it in a clearly visible place.



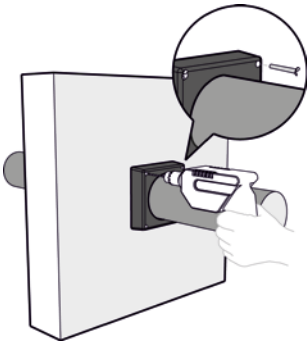
## RPI-P Fire collar

### APPLICATION MANUAL

#### Situation B

The RPI-P Fire collar consists of one part.

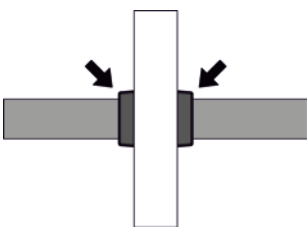
Choose the correct size RPI-P Fire collar for the pipe diameter and use the appropriate fasteners as specified in the table on page 3.



Fit the RPI-P Fire collar round the pipe.  
Then drill holes in the wall through the attachment holes in the RPI-P Fire collar and mount the fixings.



Enter your company details on the RPI-S Sealing sticker and display it in a clearly visible place.



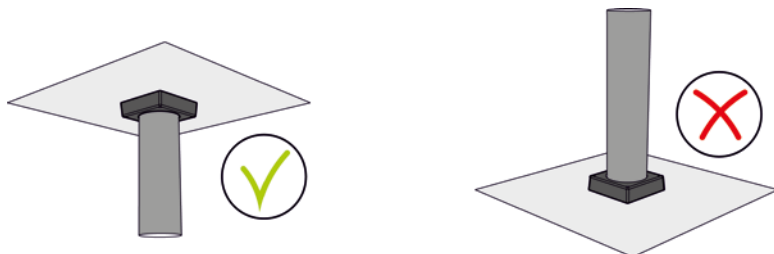
For a pipe penetration through a wall: fit an RPI-P Fire collar on both sides of the wall.



## RPI-P Fire collar

### APPLICATION MANUAL

For a pipe penetration through a floor: fit an RPI-P Fire collar on the underside of the floor only.



The recess in the wall or the floor should be the same diameter as the pipe. If the recess is bigger, with a gap of less than 5 mm between the pipe and the wall or floor, the recess should be sealed with RPI-S Filler before fitting the RPI-P Fire collar.

Attach the RPI-P Fire collar to the wall or floor using all the attachment points on the collar.

If an attachment point on the RPI-P Fire collar is very close to the edge of the recess, use a mounting bracket (see the RPI-P Bracket application manual).

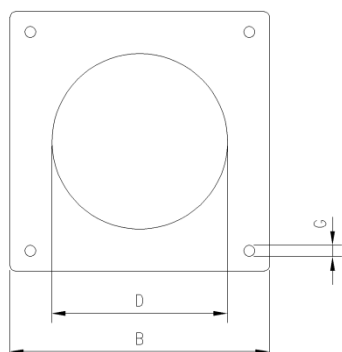
If the gap between the pipe and the wall or floor is bigger than 5 mm, the recess should first be sealed with the RPI-S Sealing system (see the RPI-S Sealing system application manual).

Fasteners to be used	Springdowel pin	Expansion anchor	Anchor bolt	Concrete screw	Drywall screw	Hollow wall fixing
Concrete	Ø6x60	M6x60	M6x60	6x60		
Concrete or stone/brick wall	Ø6x60	M6x60	M6x60	6x60		
Cellular concrete wall	Ø6x60	M6x60			6x60	
Plasterboard wall	Ø6x60	M6x60			6x60	
Light-weight plasterboard partition wall						9x70
Light-weight fibreboard partition wall						9x70
Wood					6x60	



# RPI-P Fire collar

## APPLICATION MANUAL



Description	Suitable for pipe diameter [mm]	Diameter [mm]	Width [mm]	Height [mm]	Hole [mm]	No. of parts
RPI-P Fire collar 40 mm	40	42	101	34	6	2
RPI-P Fire collar 50 mm	50	52	108	34	6	2
RPI-P Fire collar 63 mm	63	65	117	34	6	2
RPI-P Fire collar 75 mm	75	77	126	34	6	2
RPI-P Fire collar 80 mm	80	82	129	34	6	2
RPI-P Fire collar 83 mm	83	85	131	34	6	1
RPI-P Fire collar 90 mm	90	92	136	34	6	2
RPI-P Fire collar 110 mm	110	112	150	34	6	2
RPI-P Fire collar 125 mm	125	127	161	34	6	2
RPI-P Fire collar 128 mm	128	130	163	34	6	1
RPI-P Fire collar 133 mm	133	135	167	34	6	1
RPI-P Fire collar 153 mm	153	155	184	34	6	1
RPI-P Fire collar 160 mm	160	162	191	34	6	1
RPI-P Fire collar 183 mm	183	185	214	34	6	1
RPI-P Fire collar 200 mm	200	202	231	34	6	1
RPI-P Fire collar 250 mm	250	252	281	34	6	1