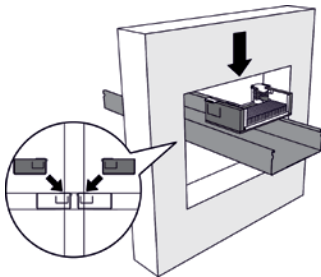


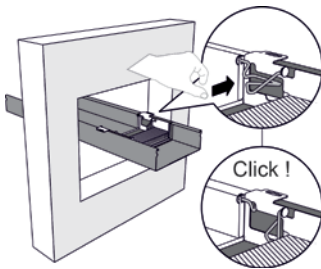


RPI-E Flex box

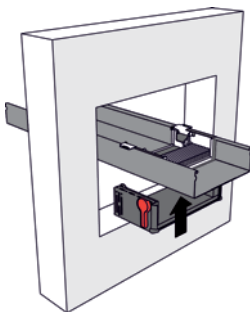
APPLICATION MANUAL



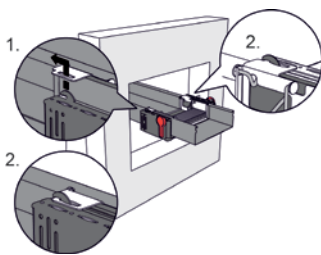
Place the tray hook in the cable duct.



Click the tray hook in place using the clamps, on both sides.



Place the bottom tray around the cable duct.

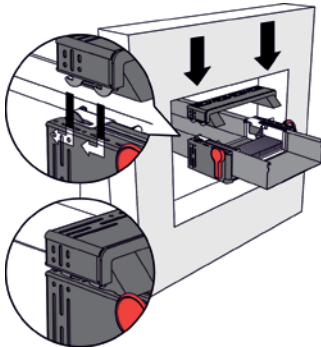


Hook the bottom tray onto the tray hook.

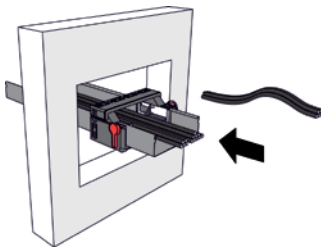


RPI-E Flex box

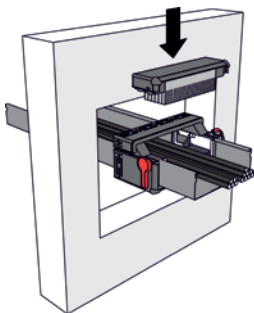
APPLICATION MANUAL



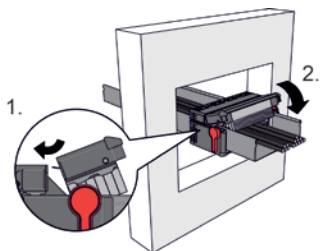
Attach the top cover to the bottom tray.



Lay the cables in place.



Place the mutation cover on the bottom tray.

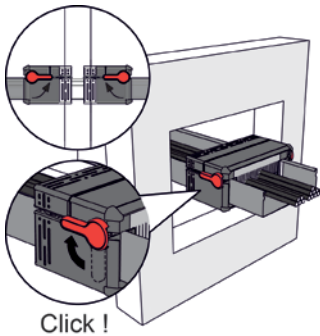


Hook the rear part of the mutation cover under the top cover.

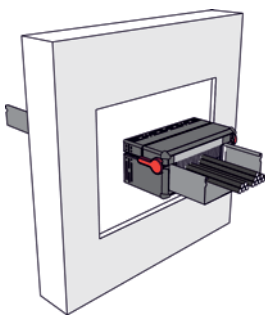


RPI-E Flex box

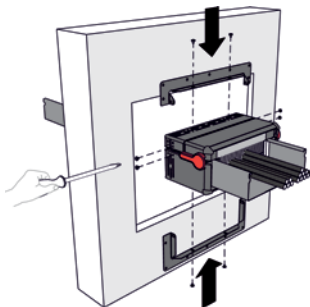
APPLICATION MANUAL



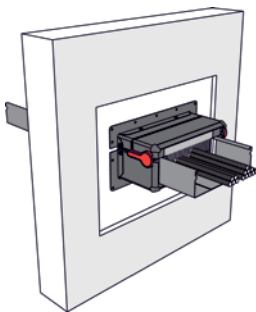
Attach the mutation cover to the bottom cover, using the red handles.



Close off the recess around the RPI-E Flex box (check the RPI-S Seal system application manual).



Attach the wall mount (flange) to the RPI-E Flex box to mount it to the board/wall.

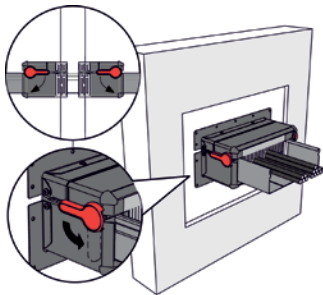


Your seal is now complete.
Perform steps on both sides of the wall.



RPI-E Flex box

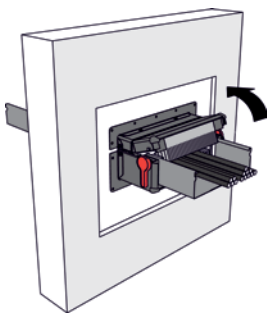
APPLICATION MANUAL



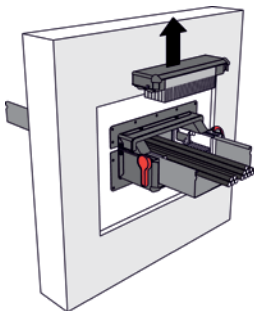
Click !

Mutation

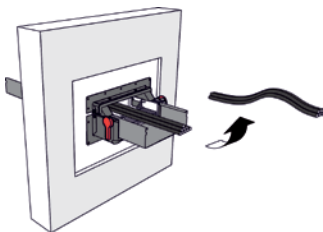
Undo the mutation cover using the red handles (on both sides).



Unhook the mutation cover.



Remove the mutation cover.

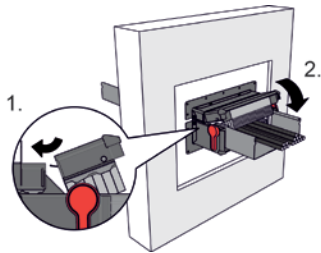


Remove old and/or lay new cables in place.

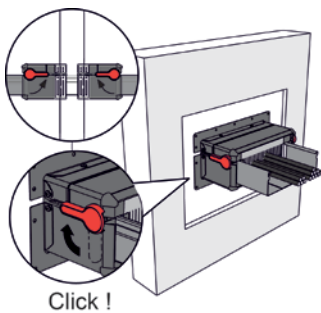


RPI-E Flex box

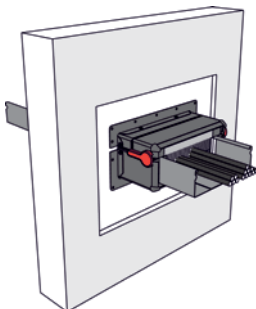
APPLICATION MANUAL



Place the mutation cover on the bottom tray and hook the rear part of the mutation cover under the top cover.



Attach the mutation cover to the bottom cover, using the red handles.



Your seal is now complete.



Fill in the working data on the RPI-S Sealing sticker and attach it in clear sight.