



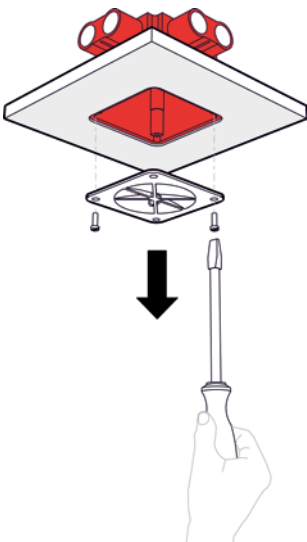
RPI-E Connection box stop □

APPLICATION MANUAL

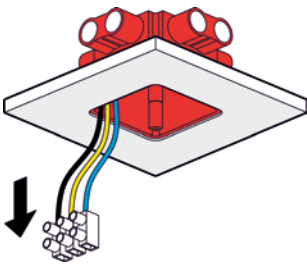
The RPI-E Connection box stop □ is easy to fit in a junction box.



Check that the junction box is mounted correctly and in a fire-resistant structure. Check that the wiring is disconnected from the mains.



Remove the cover of the junction box.

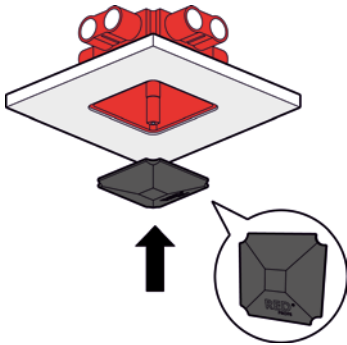


Remove any mechanism inside the junction box.
Remove any wiring and items such as wire connectors.

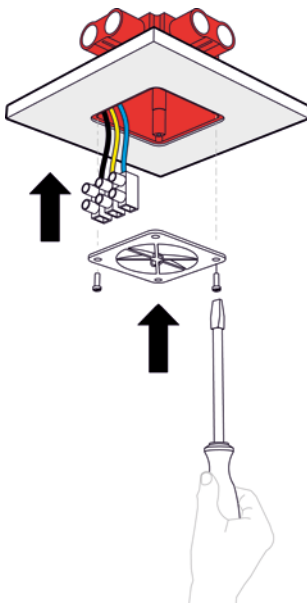


RPI-E Connection box stop □

APPLICATION MANUAL



Insert the RPI-E Connection box stop □ against the back of the junction box.



Connect the wiring and replace the cover.